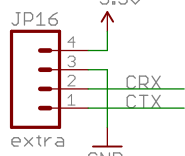
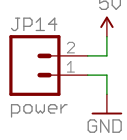
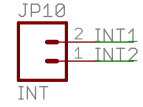
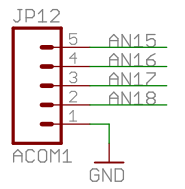
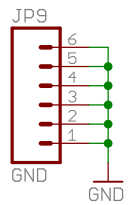
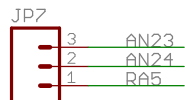
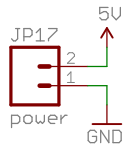
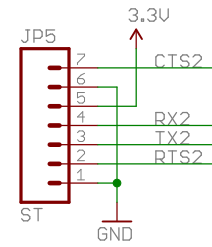
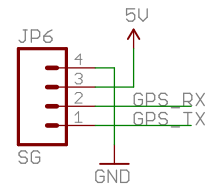
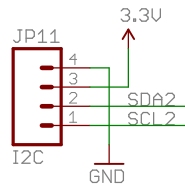
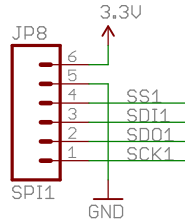
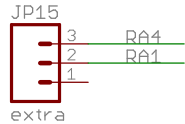
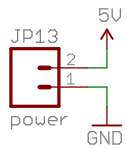
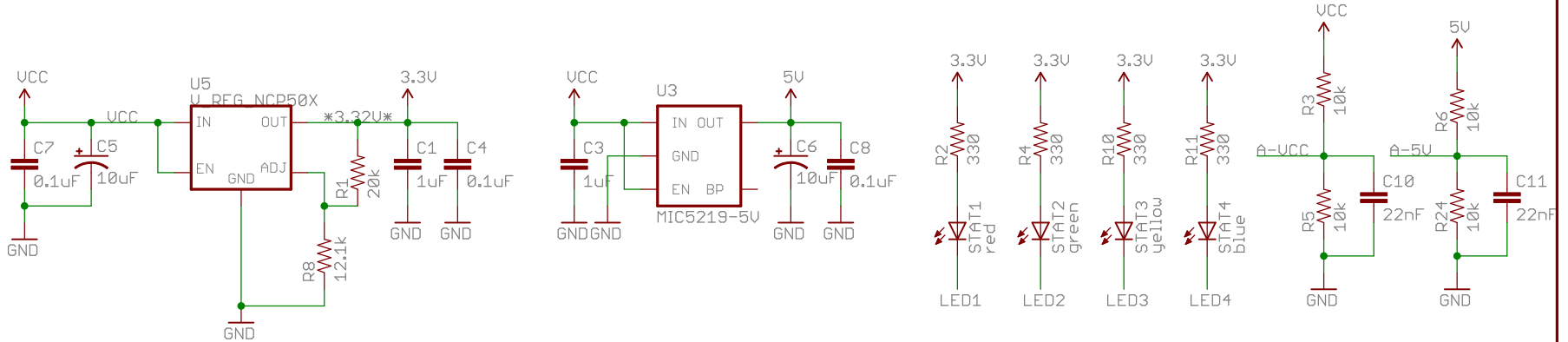


# POWER, LEDs, & CONNECTORS

Revision Notes:

v10

-removed gyro and accelerometer, added MPU-6000 (combined 6DOF)



SFE	SFE	SFE
-----	-----	-----

⊗		<b>UAV Development Board IV</b>	
TITLE: UDB5			
Document Number:			REV:
Date: 5/2/2013 1:08:56 PM			Sheet: 1/3

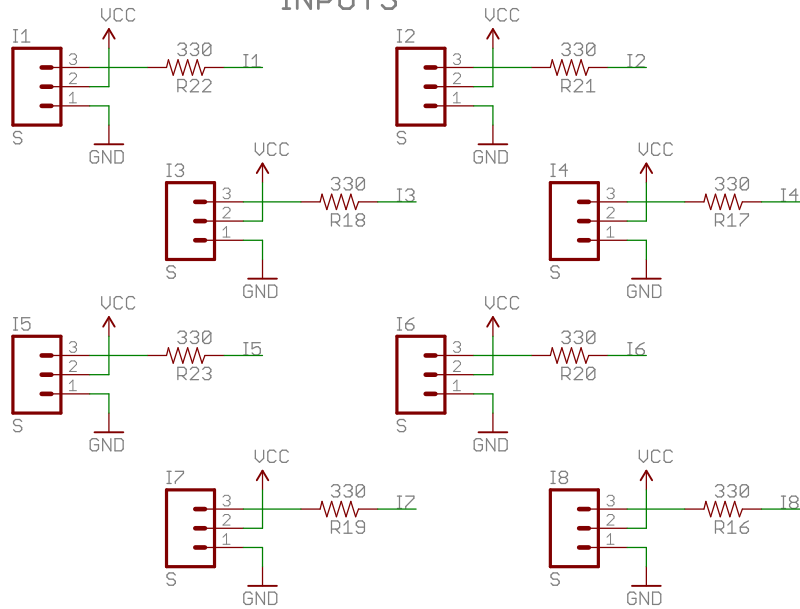
Released under the Creative Commons Attribution Share-Alike 3.0 License  
<http://creativecommons.org/licenses/by-sa/3.0>  
 Design by: Aaron Weiss



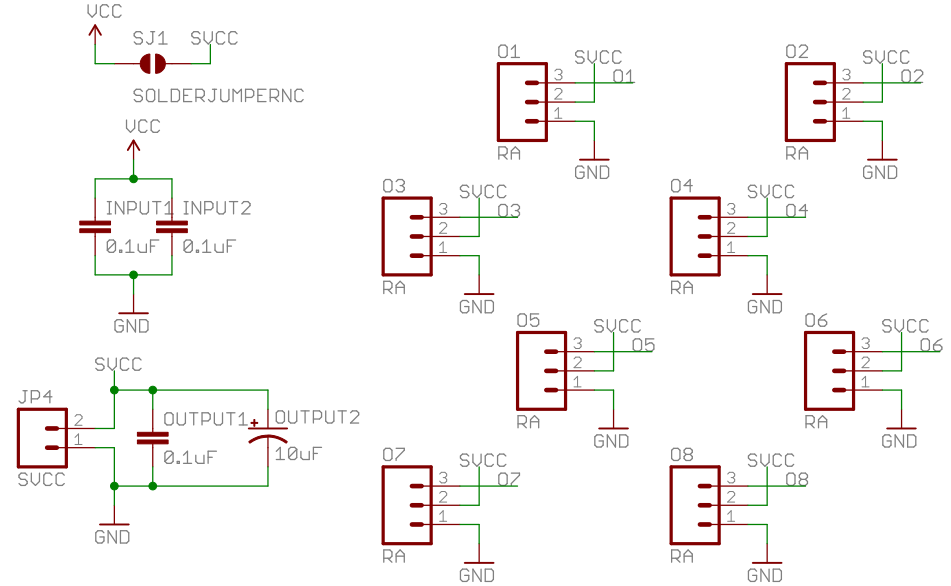


# SERVO CHANNELS

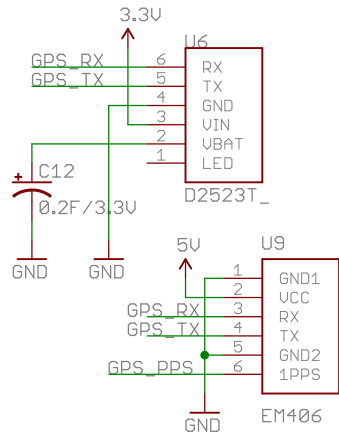
## INPUTS



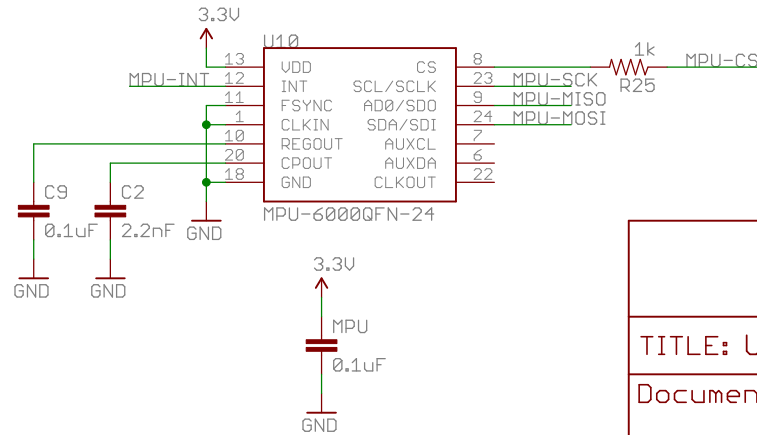
## OUTPUTS



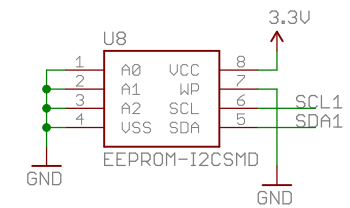
## GPS



## GYROS and ACCELEROMETER



## EEPROM



TITLE: UDB5

Document Number:

REV:

Date: 5/2/2013 1:08:56 PM

Sheet: 3/3