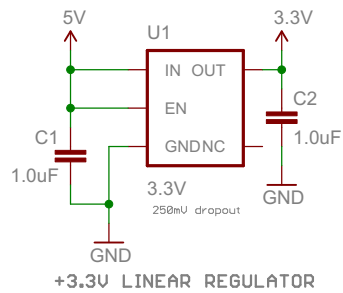
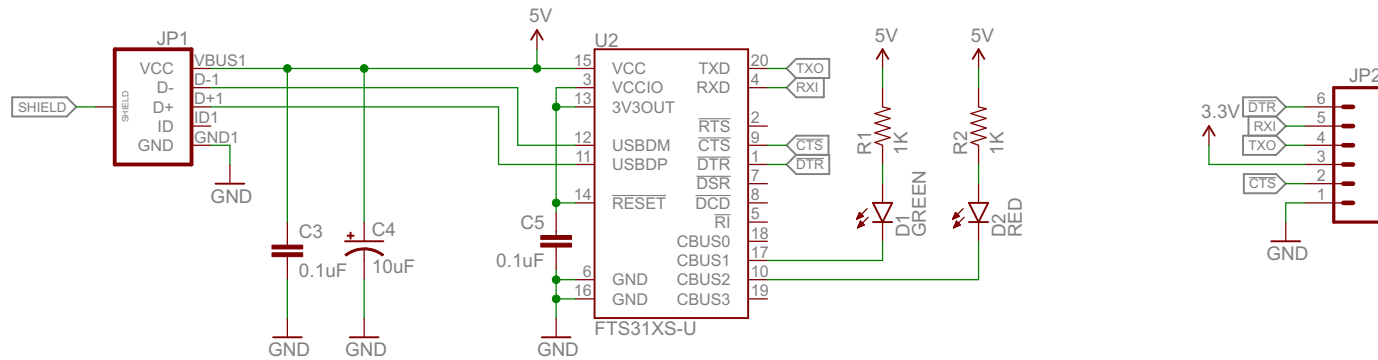


THIS PCBA IS DESIGNED FOR +3.3V IO AND VOLTAGE SOURCING



Released under the Creative Commons Attribution Share-Alike 4.0 License
<https://creativecommons.org/licenses/by-sa/4.0/>



TITLE: Beefy_3

Design by: Brent Wilkins

REV: v10



Date: not saved!

Sheet: 1/1