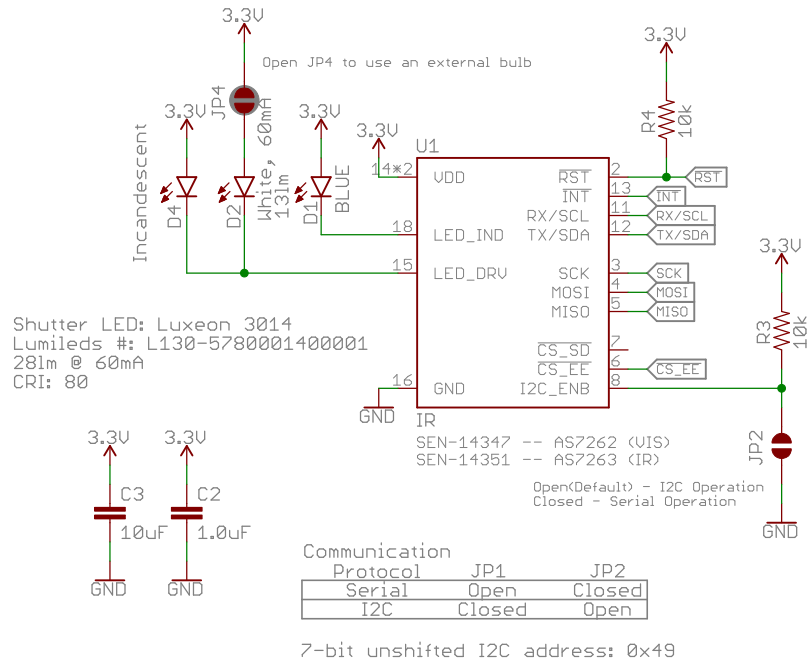
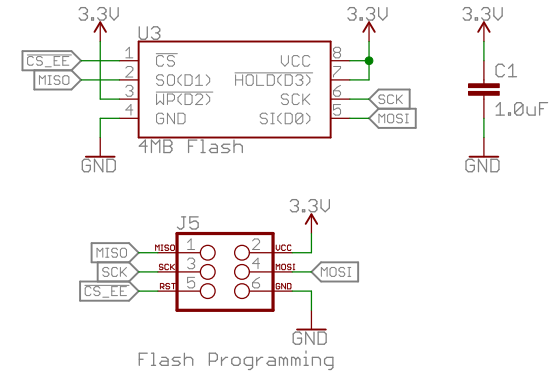


AS726x Spectral Sensor

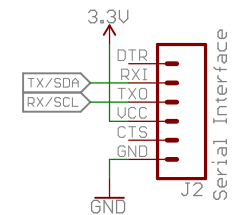
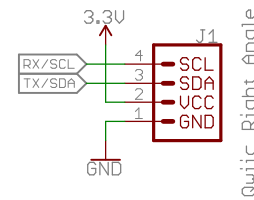
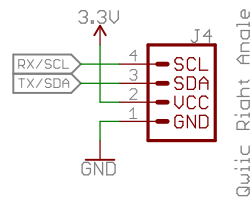
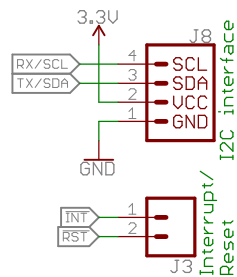
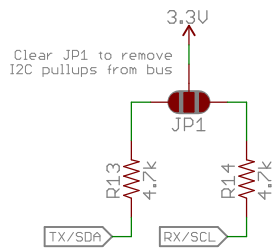


4mbit Flash Memory



The AS726x must be held in reset while programming flash

Interfaces



Released under the Creative Commons Attribution Share-Alike 4.0 License
<https://creativecommons.org/licenses/by-sa/4.0/>



TITLE: Qwiic_Spectral_Sensor-AS726x_v10

Design by: Nathan Seidle
 Revised by: Andy England

REV:
 V10

Date: 9/20/2017 8:39 AM

Sheet: 1/1

