

REV	DATE	BY	CHANGE
A	01/24/2012	BBT	Initial release.
A1	08/01/2012	BBT	1. Change footprint of R51 to 0603 2. Change footprint of C18 and C20 to 0805

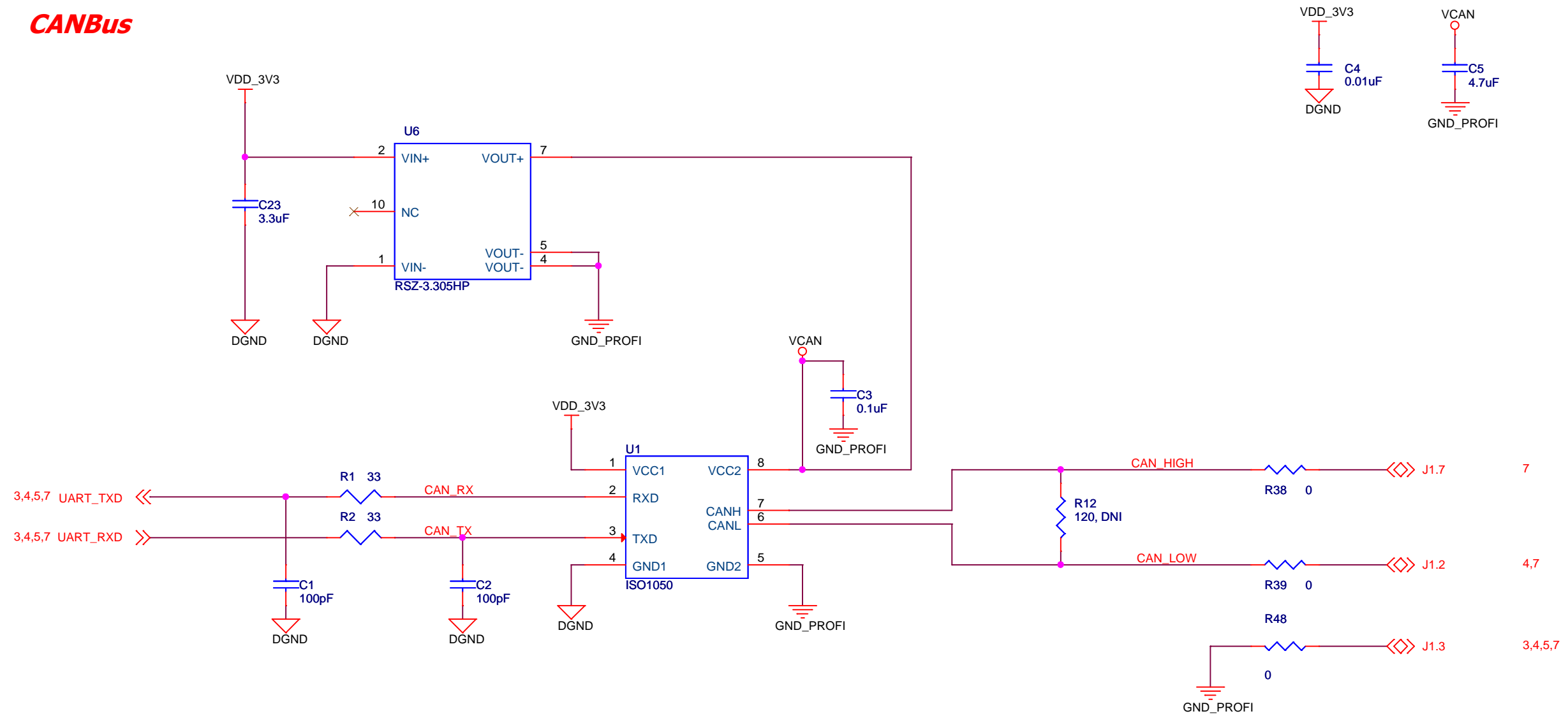
This work is licensed under the Creative Commons Attribution-Share Alike 3.0 Unported License. To view a copy of this license, visit <http://creativecommons.org/licenses/by-sa/3.0/> or send a letter to Creative Commons, 171 Second Street, Suite 300, San Francisco, California, 94105, USA.

All derivative works are to be attributed to CircuitCo LLC .

For more information, see http://creativecommons.org/license/results-one?license_code=by-sa

This work is licensed under the Creative Commons Attribution-Share Alike 3.0 Unported License. All derivative works are to be attributed to CircuitCo LLC. beagleboardtoys is owned by CircuitCo LLC.	 beagleboardtoys.com		1380 Presidential Dr. #100 Richardson, TX 75081 www.beagleboardtoys.com
	Title: BeagleBone RS232 Cape COVER PAGE		
	Size: B	Document Number: BB-BONE-SERL-03	Rev: A1
	Date: Tuesday, August 07, 2012 Sheet 1 of 7		

CANBus



ALL PARTS IN THIS BOX ARE "DNI"

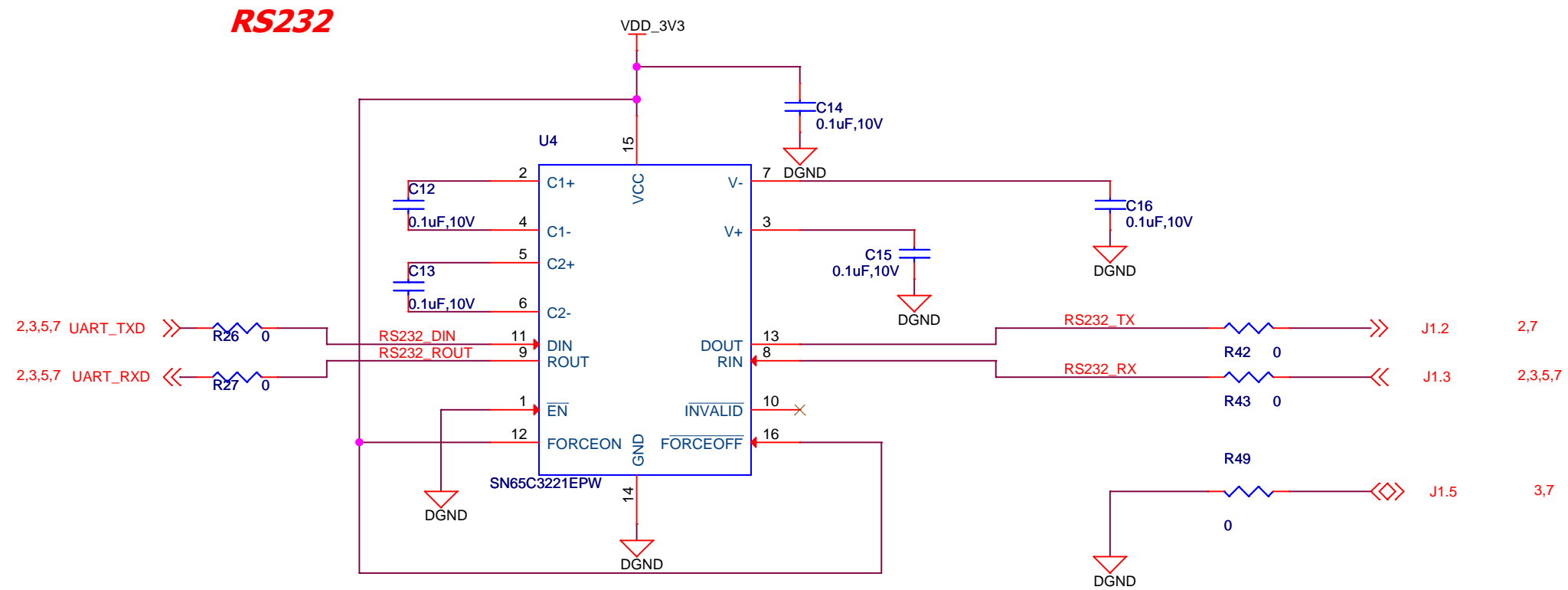
This work is licensed under the Creative Commons Attribution-Share Alike 3.0 Unported License. All derivative works are to be attributed to CircuitCo LLC.
beagleboardtoys is owned by CircuitCo LLC.



beagleboardtoys.com

1380 Presidential Dr.
#100
Richardson, TX 75081
www.beagleboardtoys.com

Title		BeagleBone RS232 Cape CANBus	
Size B	Document Number	BB-BONE-SERL-03	
Date:	Tuesday, August 07, 2012	Sheet	2 of 7
		Rev	A1



This work is licensed under the Creative Commons Attribution-Share Alike 3.0 Unported License. All derivative works are to be attributed to CircuitCo LLC.

beagleboardtoys is owned by CircuitCo LLC.



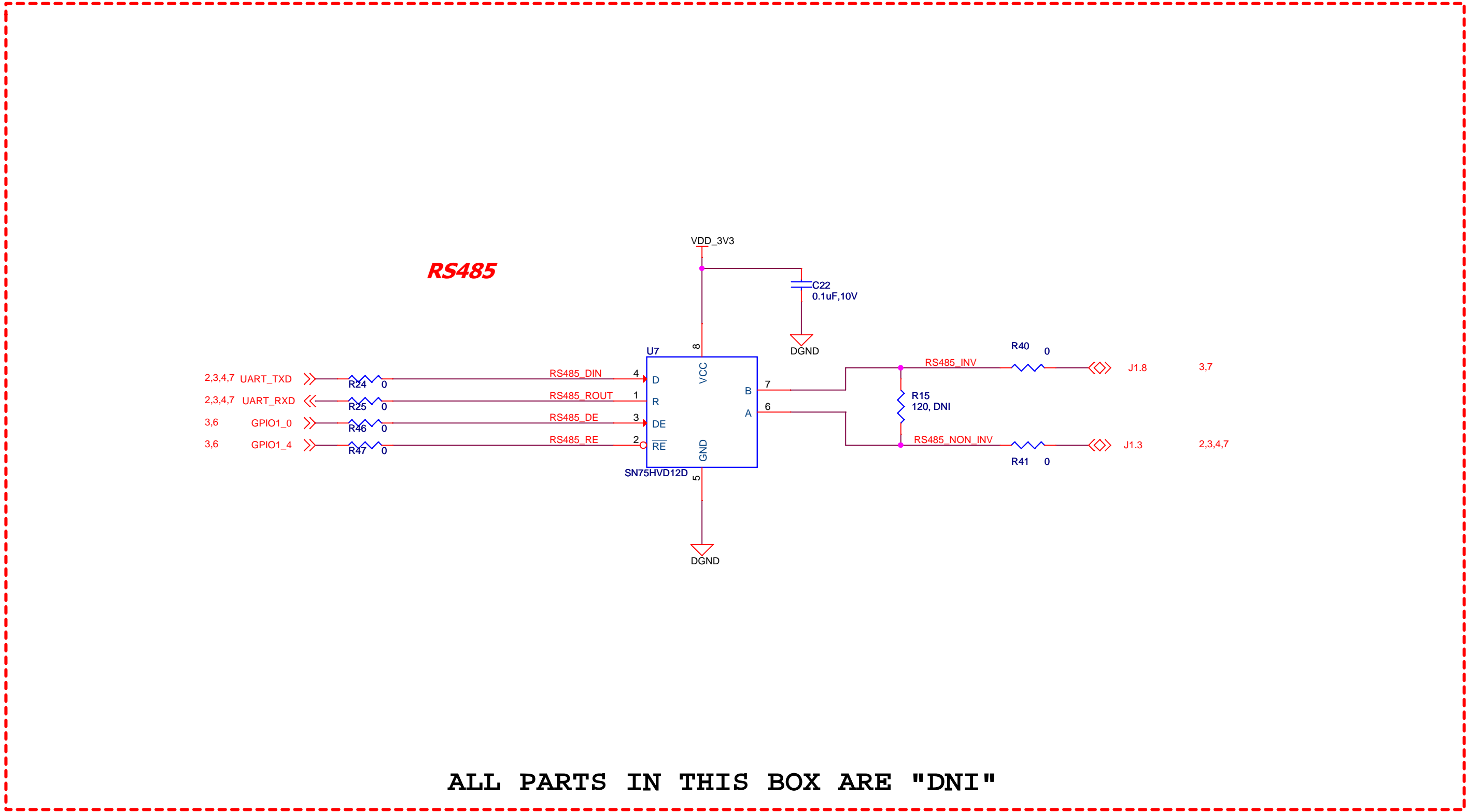
beagleboardtoys.com

1380 Presidential Dr.
#100
Richardson, TX 75081
www.beagleboardtoys.com

Title: BeagleBone RS232 Cape RS232

Size B	Document Number BB-BONE-SERL-03	Rev A1
--------	---------------------------------	--------

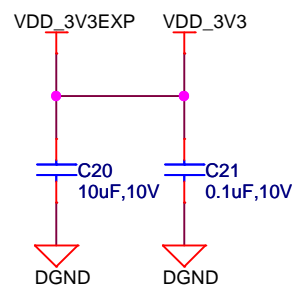
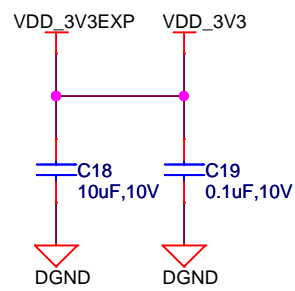
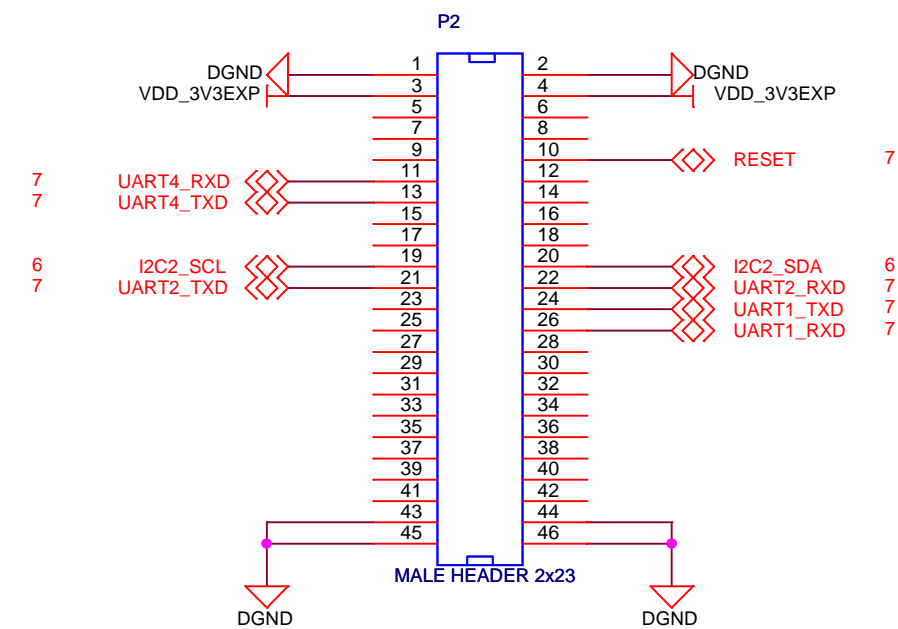
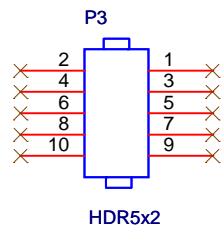
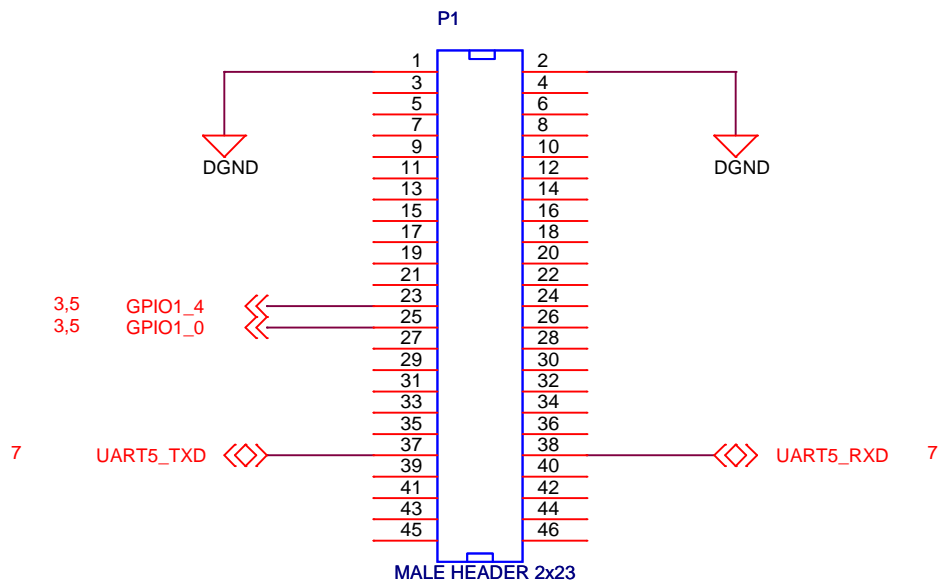
Date: Tuesday, August 07, 2012 Sheet 4 of 7



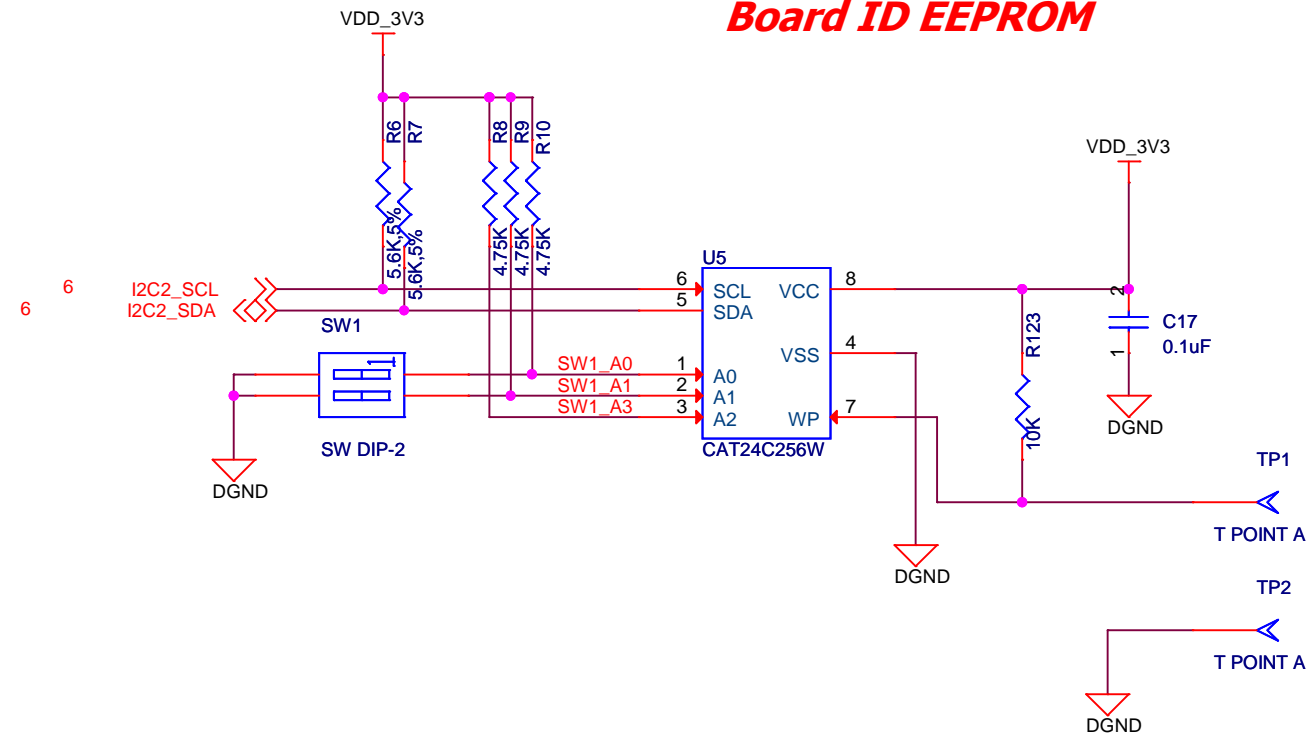
ALL PARTS IN THIS BOX ARE "DNI"

This work is licensed under the Creative Commons Attribution-Share Alike 3.0 Unported License. All derivative works are to be attributed to CircuitCo LLC.				1380 Presidential Dr. #100 Richardson, TX 75081 www.beagleboardtoys.com	
beagleboardtoys is owned by CircuitCo LLC.		Title: BeagleBone RS232 Cape RS485			
Size B	Document Number BB-BONE-SERL-03	Date: Tuesday, August 07, 2012		Sheet 5 of 7	Rev A1

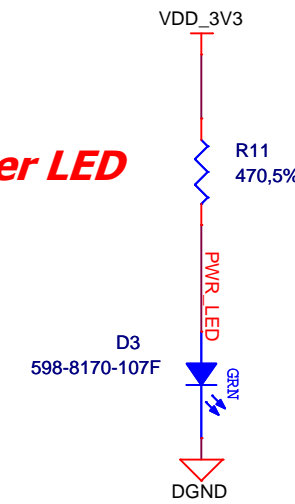
Connectors In



Board ID EEPROM



Power LED



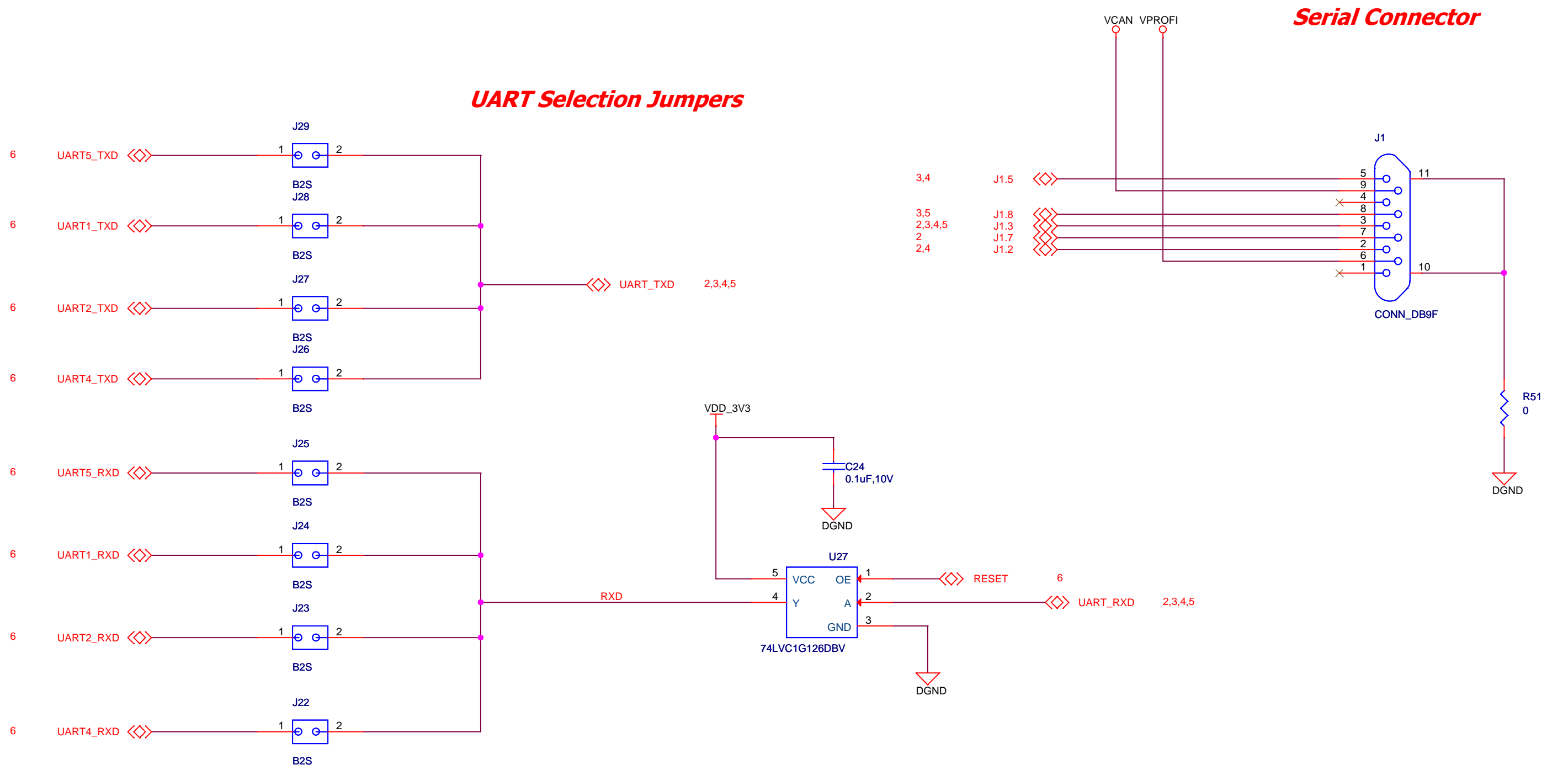
This work is licensed under the Creative Commons Attribution-Share Alike 3.0 Unported License. All derivative works are to be attributed to CircuitCo LLC.



1380 Presidential Dr.
#100
Richardson, TX 75081
www.beagleboardtoys.com

beagleboardtoys is owned by CircuitCo LLC.

Title		BeagleBone RS232 Cape Conn, EEPROM, LED	
Size B	Document Number	BB-BONE-SERL-03	
Date:	Tuesday, August 07, 2012	Sheet	6 of 7
		Rev	A1



UART Selection Jumpers

Serial Connector

This work is licensed under the Creative Commons Attribution-Share Alike 3.0 Unported License. All derivative works are to be attributed to CircuitCo LLC.
beagleboardtoys is owned by CircuitCo LLC.



beagleboardtoys.com

1380 Presidential Dr.
#100
Richardson, TX 75081
www.beagleboardtoys.com

Title		BeagleBone RS232 Cape Serial Conn, UART Jumpers	
Size B	Document Number	BB-BONE-SERL-03	
Date:	Tuesday, August 07, 2012	Sheet	7 of 7
		Rev	A1