

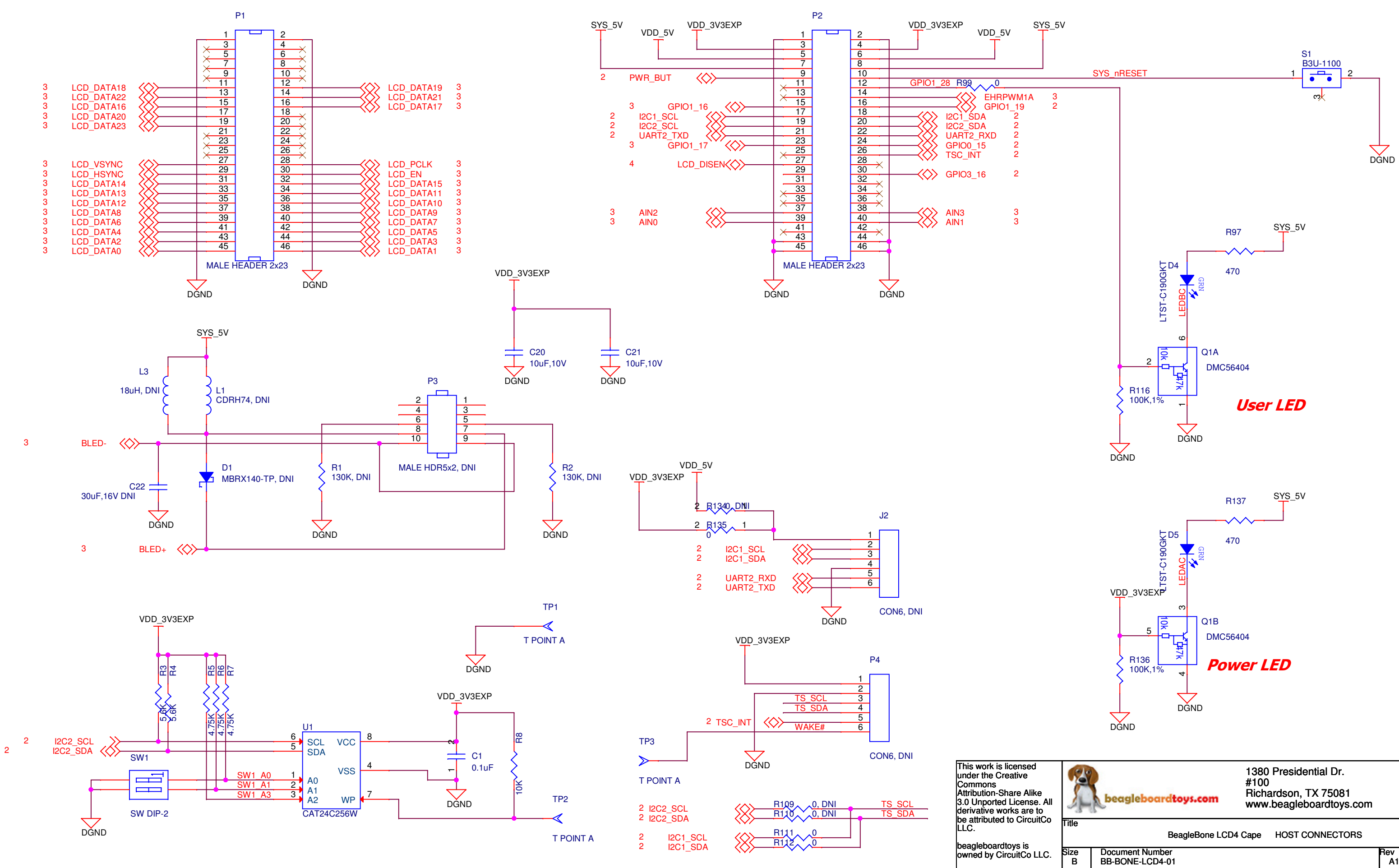
REV	DATE	BY	CHANGE
A	01-MAY-2012	BBT	Initial release
A1	08-JULY-2012	BBT	Production release

This work is licensed under the Creative Commons Attribution-Share Alike 3.0 Unported License. To view a copy of this license, visit <http://creativecommons.org/licenses/by-sa/3.0/> or send a letter to Creative Commons, 171 Second Street, Suite 300, San Francisco, California, 94105, USA.

All derivative works are to be attributed to CircuitCo LLC .


For more information, see http://creativecommons.org/license/results-one?license_code=by-sa

This work is licensed under the Creative Commons Attribution-Share Alike 3.0 Unported License. All derivative works are to be attributed to CircuitCo LLC. beagleboardtoys is owned by CircuitCo LLC.	 beagleboardtoys.com		1380 Presidential Dr. #100 Richardson, TX 75081 www.beagleboardtoys.com
	Title: BeagleBone LCD4 Cape COVER PAGE		
	Size: B	Document Number: BB-BONE-LCD4-01	Rev: A1
	Date: Sunday, July 08, 2012		Sheet 1 of 3



This work is licensed under the Creative Commons Attribution-Share Alike 3.0 Unported License. All derivative works are to be attributed to CircuitCo LLC.

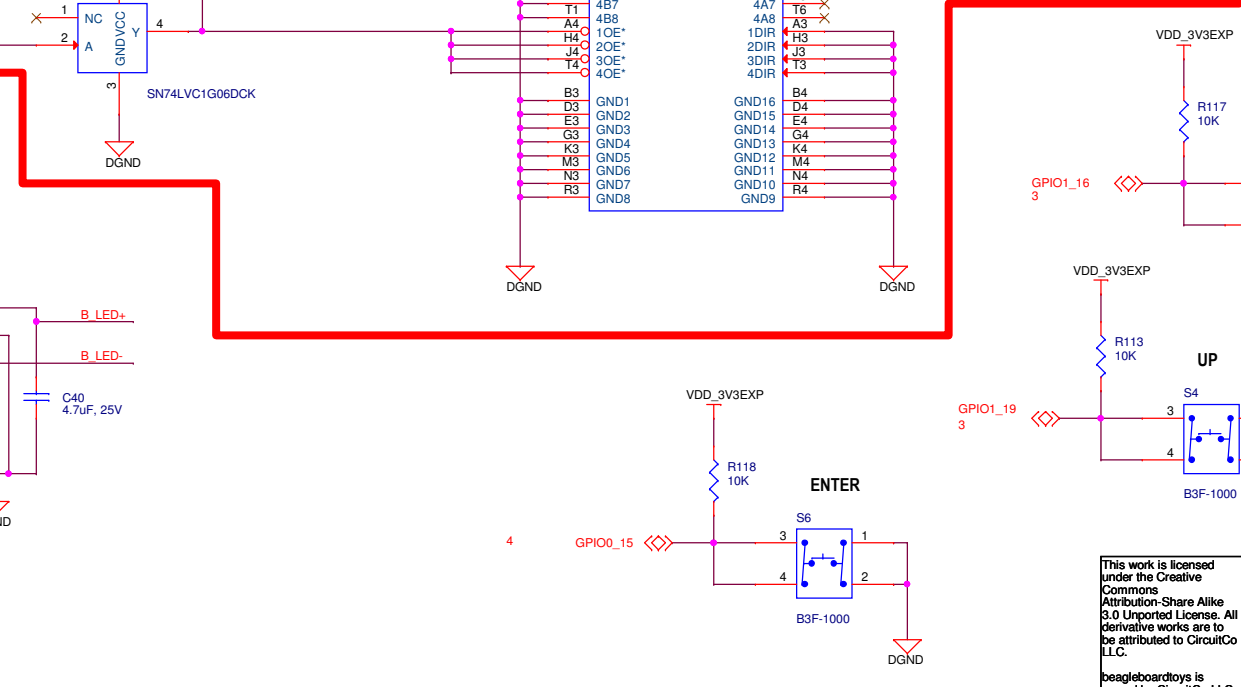
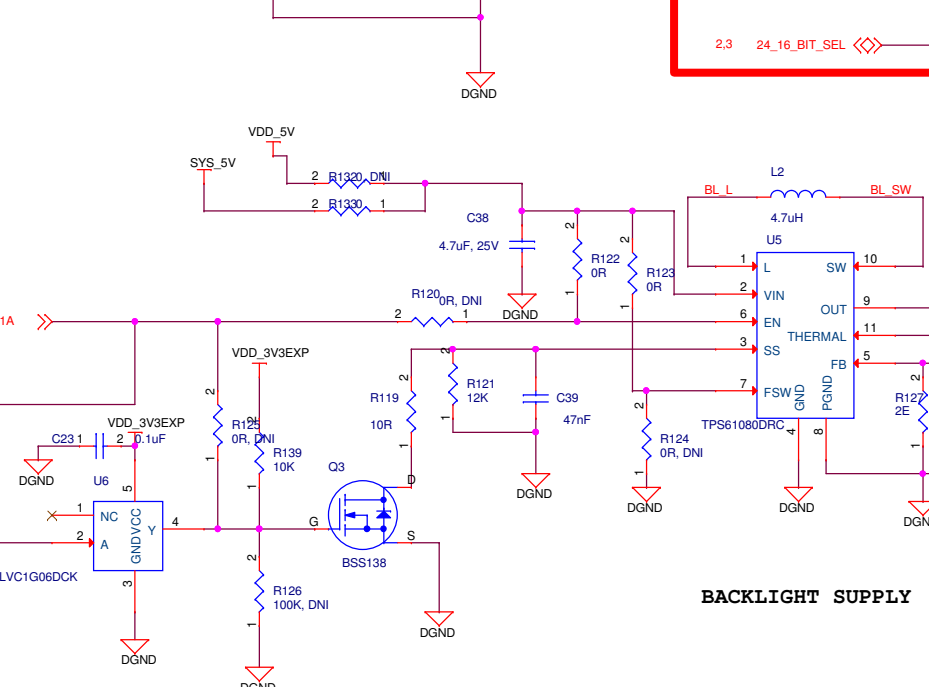
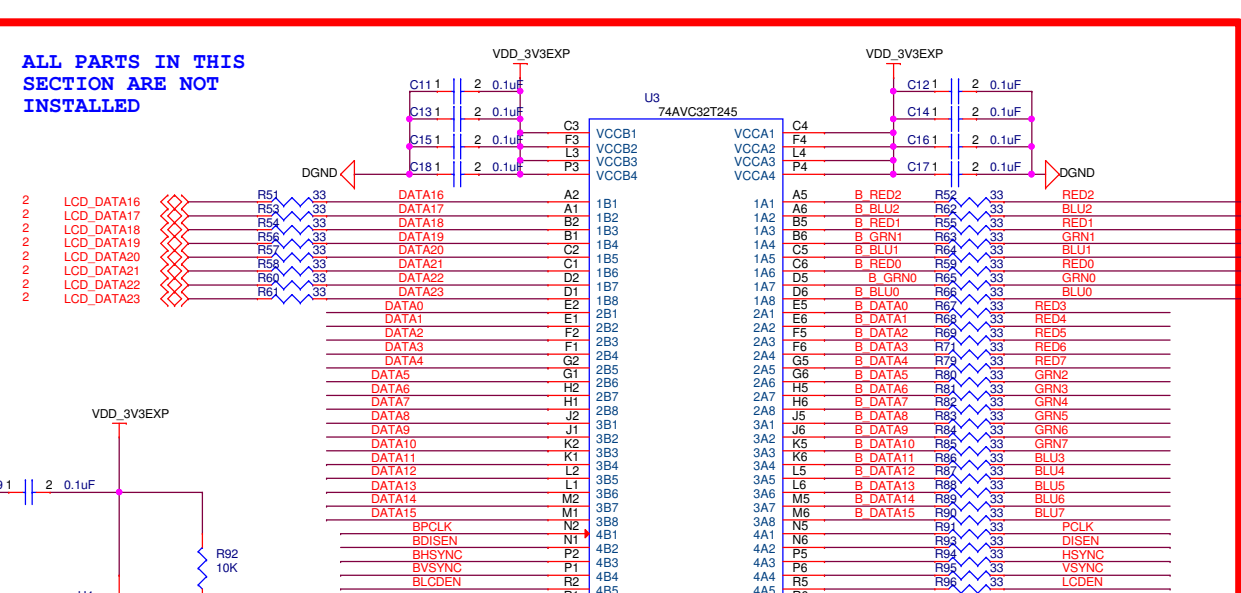
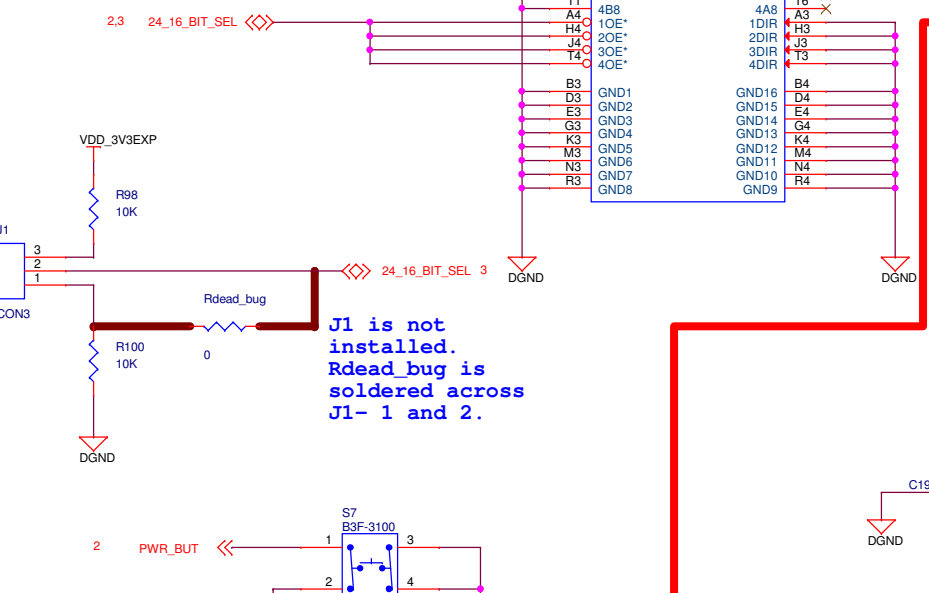
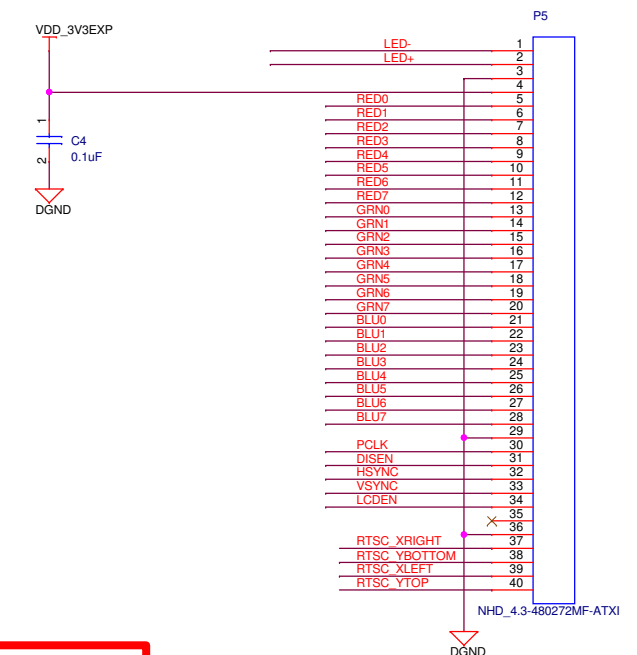
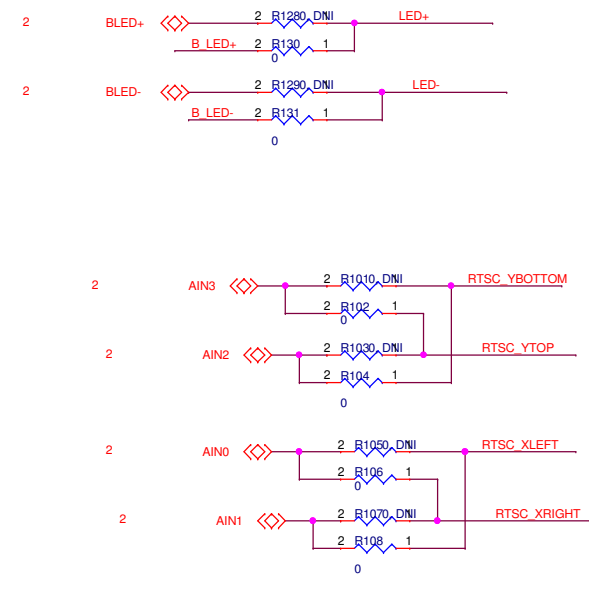
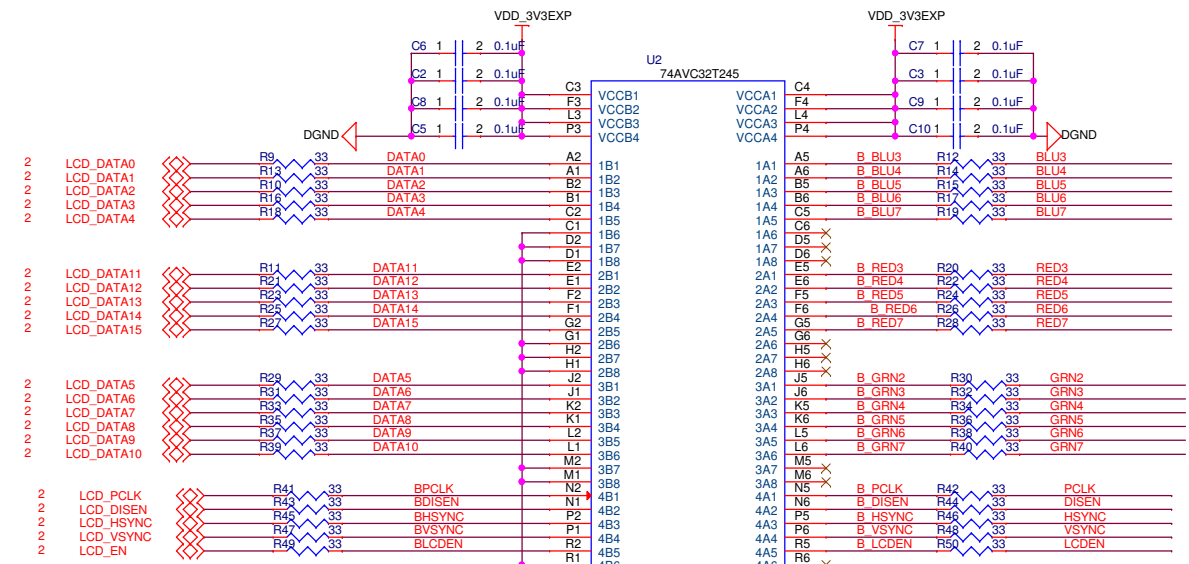
beagleboardtoys is owned by CircuitCo LLC.



beagleboardtoys.com

1380 Presidential Dr.
#100
Richardson, TX 75081
www.beagleboardtoys.com

Title: BeagleBone LCD4 Cape HOST CONNECTORS		
Size: B	Document Number: BB-BONE-LCD4-01	Rev: A1
Date: Monday, December 10, 2012	Sheet: 2 of 3	



J1 is not installed. Rdead_bug is soldered across J1- 1 and 2.

ALL PARTS IN THIS SECTION ARE NOT INSTALLED

This work is licensed under the Creative Commons Attribution-Share Alike 3.0 Unported License. All derivative works are to be attributed to CircuitCo LLC.

beagleboardtoys.com

1380 Presidential Dr. #100 Richardson, TX 75081 www.beagleboardtoys.com

Title: BeagleBone LCD4 Cape BUFFER & LCD INTERFACE

Size C	Document Number BB-BONE-LCD4-01	Rev A1
--------	---------------------------------	--------

Date: Monday, December 10, 2012 Sheet 3 of 3