

REV	DATE	BY	CHANGE
A1	09/27/2012	BBT	Initial release.

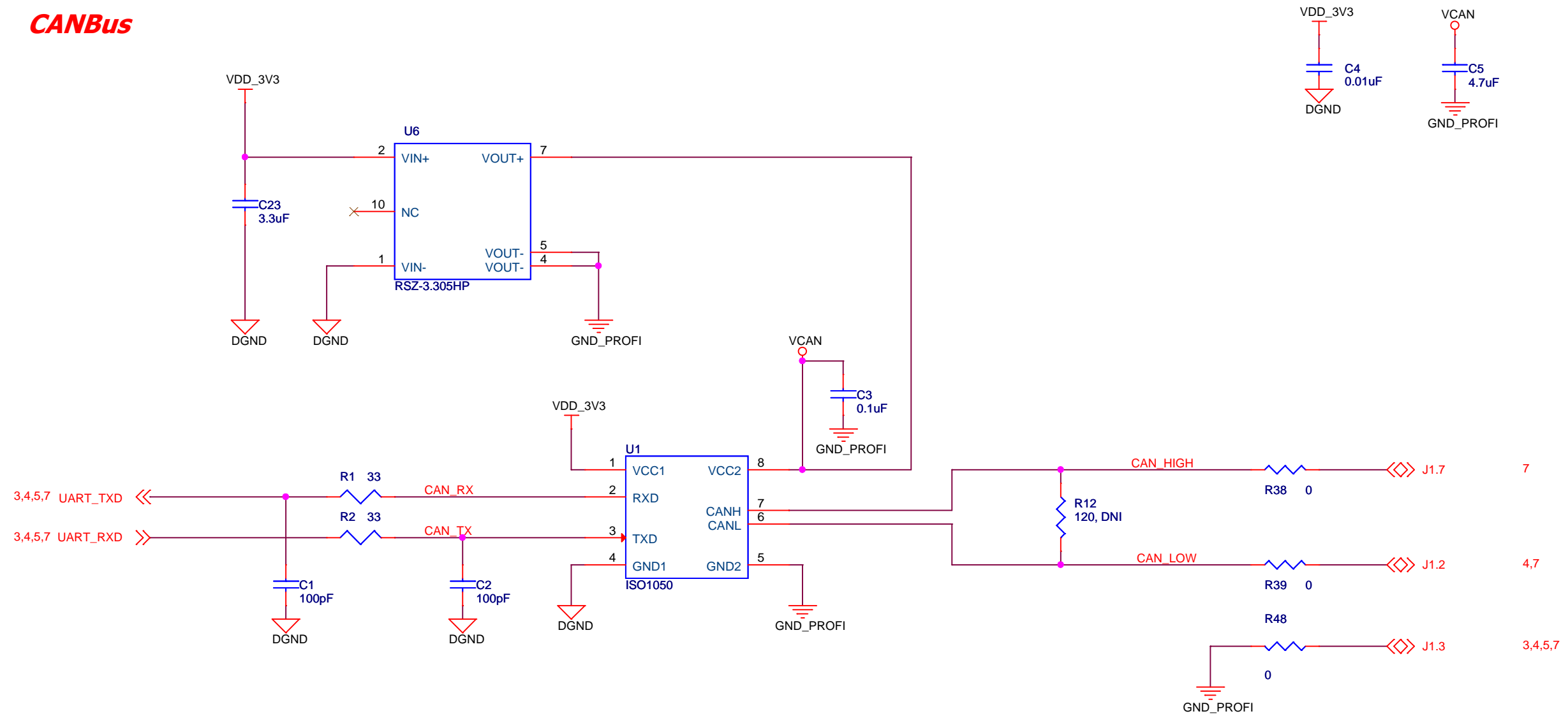
*This work is licensed under the Creative Commons Attribution-Share Alike 3.0 Unported License. To view a copy of this license, visit <http://creativecommons.org/licenses/by-sa/3.0/> or send a letter to Creative Commons, 171 Second Street, Suite 300, San Francisco, California, 94105, USA.*

*All derivative works are to be attributed to CircuitCo LLC .*

*For more information, see [http://creativecommons.org/license/results-one?license\\_code=by-sa](http://creativecommons.org/license/results-one?license_code=by-sa)*

This work is licensed under the Creative Commons Attribution-Share Alike 3.0 Unported License. All derivative works are to be attributed to CircuitCo LLC.  beagleboardtoys is owned by CircuitCo LLC.	 <b>beagleboardtoys.com</b>		1380 Presidential Dr. #100 Richardson, TX 75081 <a href="http://www.beagleboardtoys.com">www.beagleboardtoys.com</a>
	Title: BeagleBone CANBus Cape COVER PAGE		
	Size: B	Document Number: BB-BONE-SERL-01	Rev: A1
	Date: Friday, October 05, 2012 Sheet 1 of 7		


# CANBus



This work is licensed under the Creative Commons Attribution-Share Alike 3.0 Unported License. All derivative works are to be attributed to CircuitCo LLC.

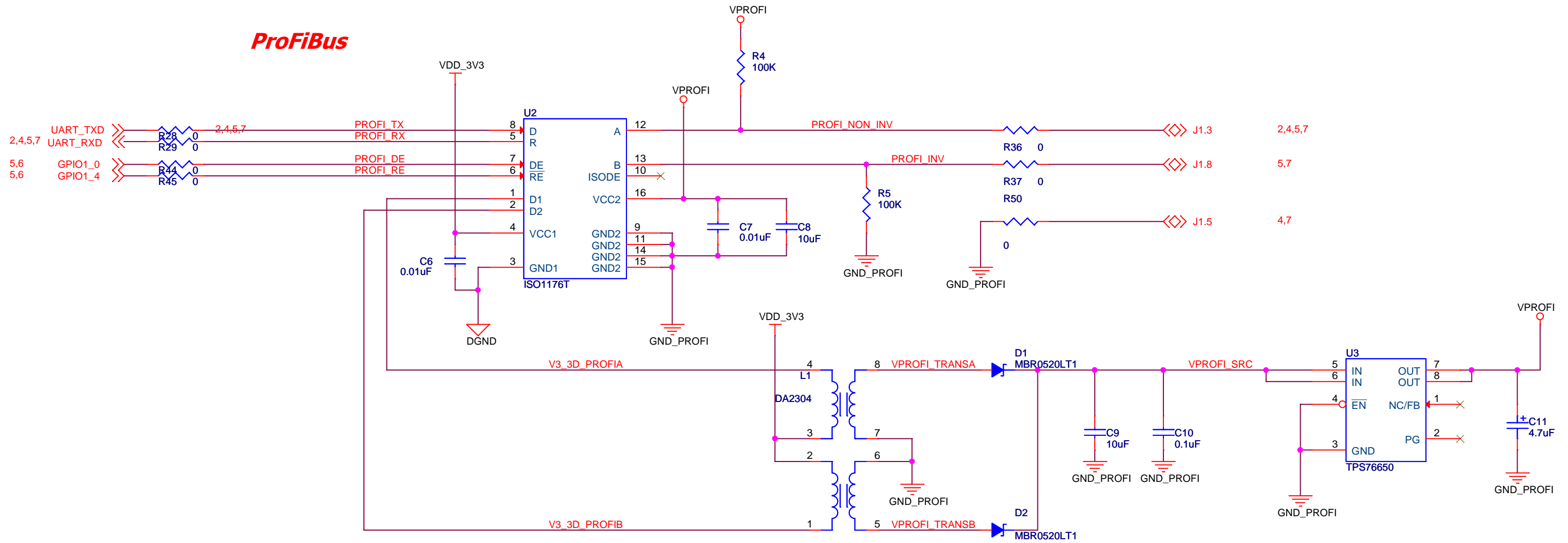
beagleboardtoys is owned by CircuitCo LLC.

1380 Presidential Dr.  
#100  
Richardson, TX 75081  
www.beagleboardtoys.com

 beagleboardtoys.com

Title		
BeagleBone CANBus Cape CANBus		
Size B	Document Number BB-BONE-SERL-01	Rev A1
Date:	Tuesday, April 30, 2013	Sheet 2 of 7

# ProFiBus



ALL PARTS IN THIS BOX ARE "DNI"

This work is licensed under the Creative Commons Attribution-Share Alike 3.0 Unported License. All derivative works are to be attributed to CircuitCo LLC.

beagleboardtoys is owned by CircuitCo LLC.



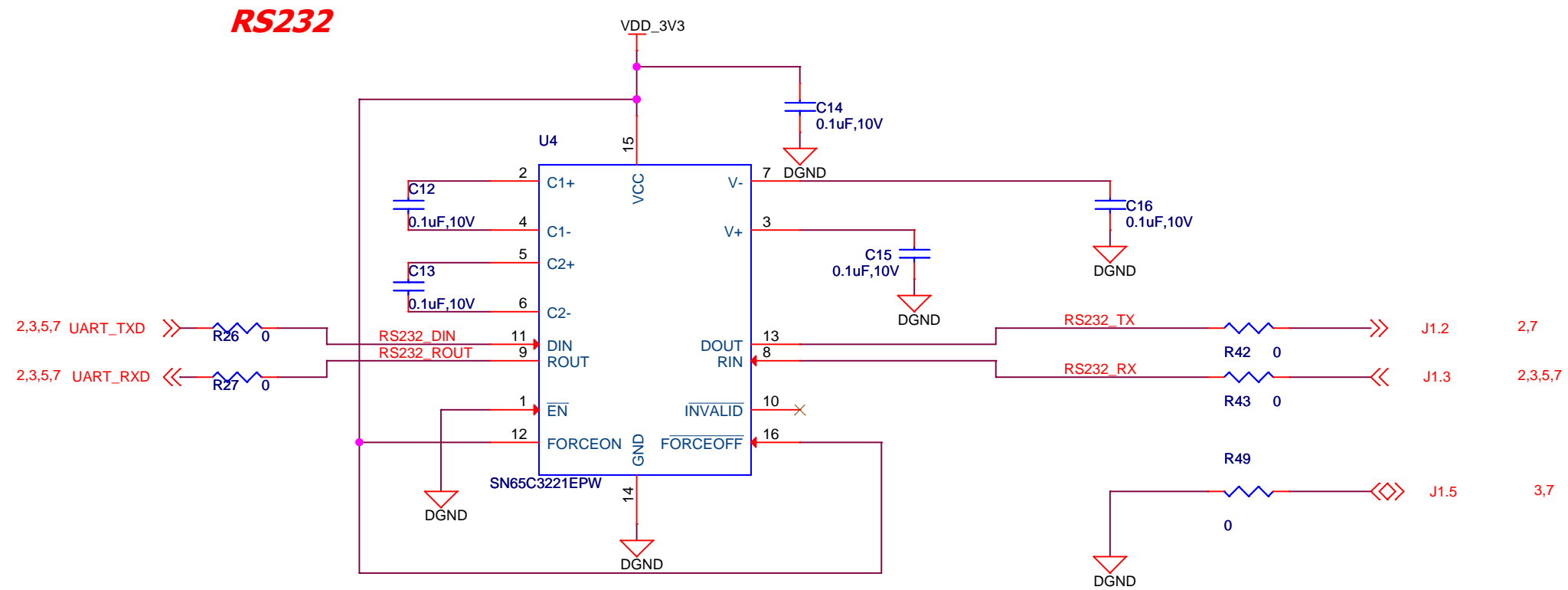
beagleboardtoys.com

1380 Presidential Dr.  
#100  
Richardson, TX 75081  
www.beagleboardtoys.com

Title: BeagleBone CANBus Cape ProFiBus

Size B Document Number BB-BONE-SERL-01 Rev A1

Date: Friday, October 05, 2012 Sheet 3 of 7



ALL PARTS IN THIS BOX ARE "DNI"

This work is licensed under the Creative Commons Attribution-Share Alike 3.0 Unported License. All derivative works are to be attributed to CircuitCo LLC.

beagleboardtoys is owned by CircuitCo LLC.



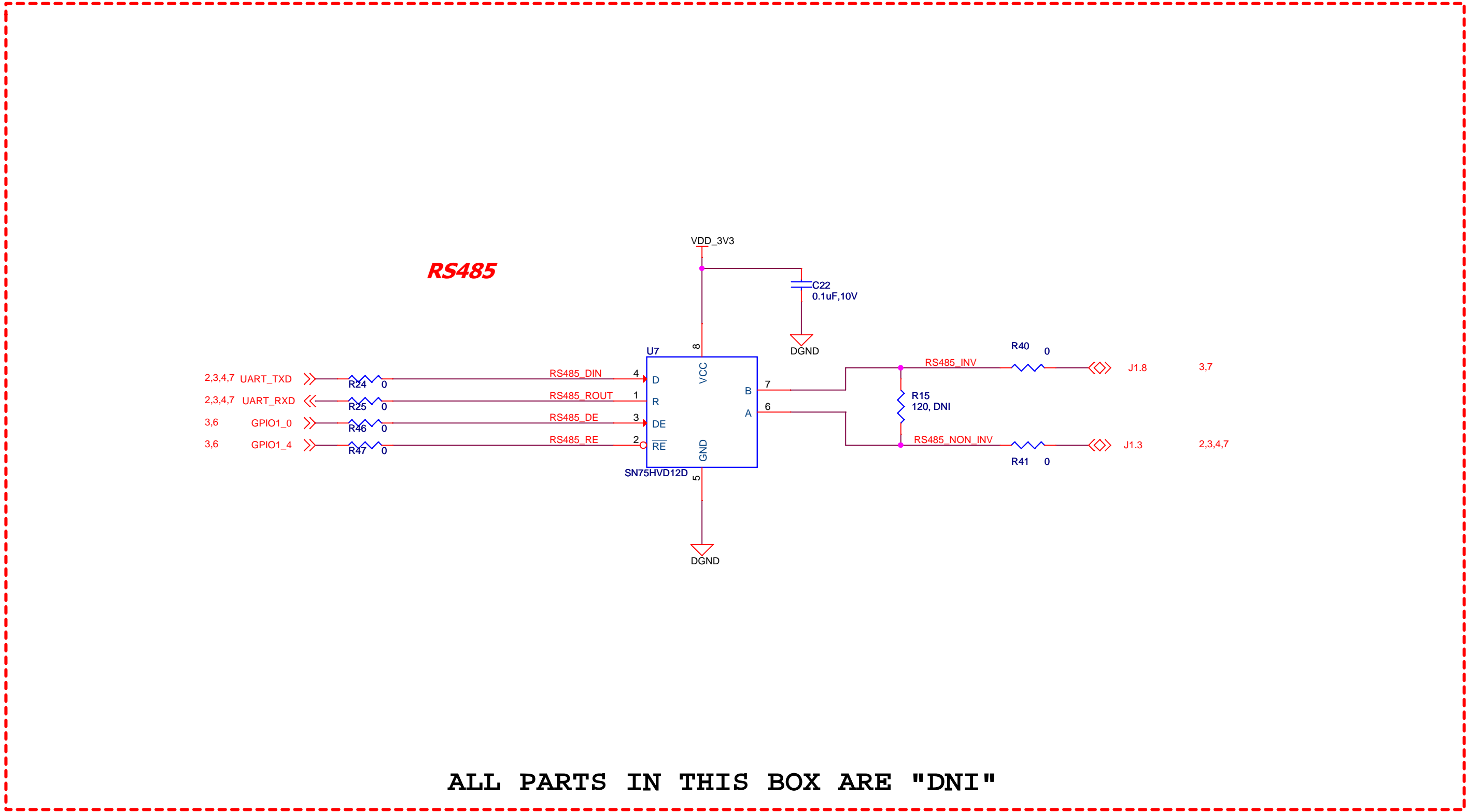
beagleboardtoys.com

1380 Presidential Dr.  
#100  
Richardson, TX 75081  
www.beagleboardtoys.com

Title BeagleBone CANBus Cape RS232

Size B	Document Number BB-BONE-SERL-01	Rev A1
--------	---------------------------------	--------

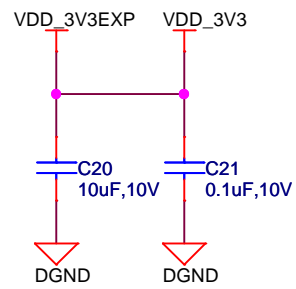
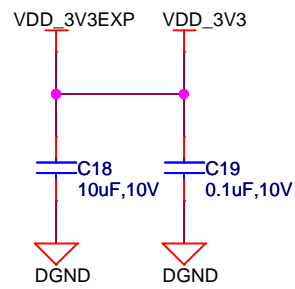
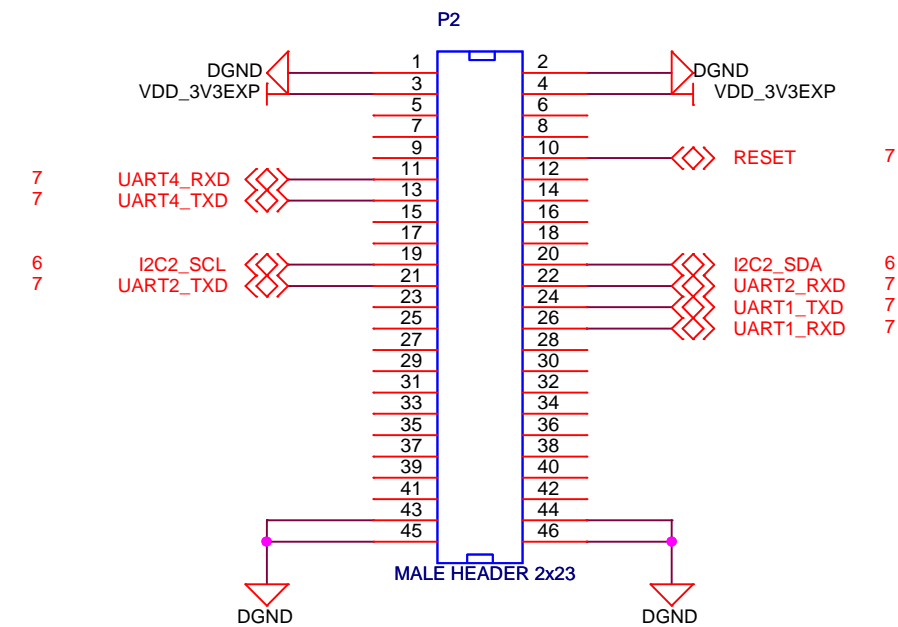
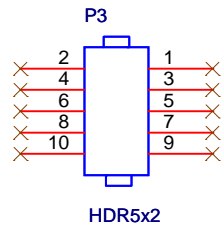
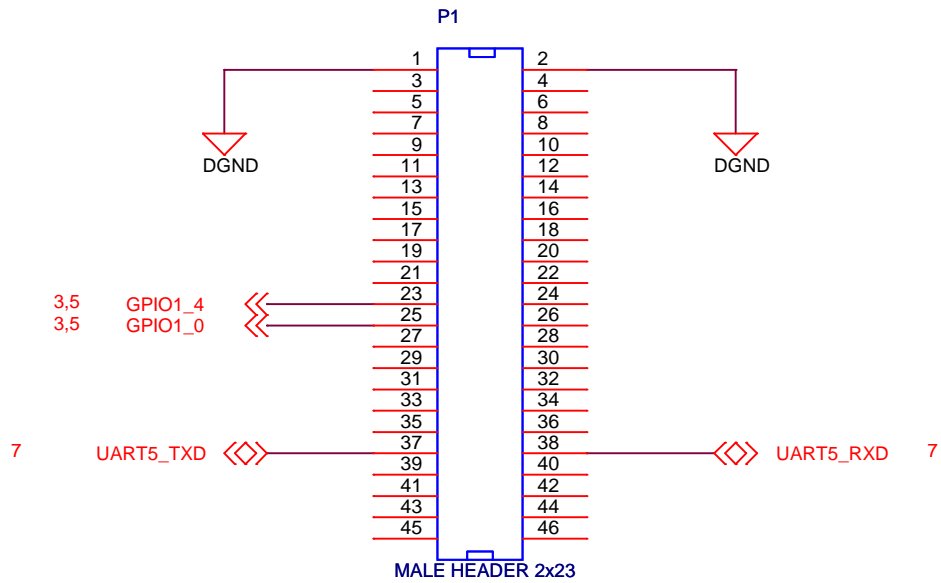
Date: Friday, October 05, 2012 Sheet 4 of 7



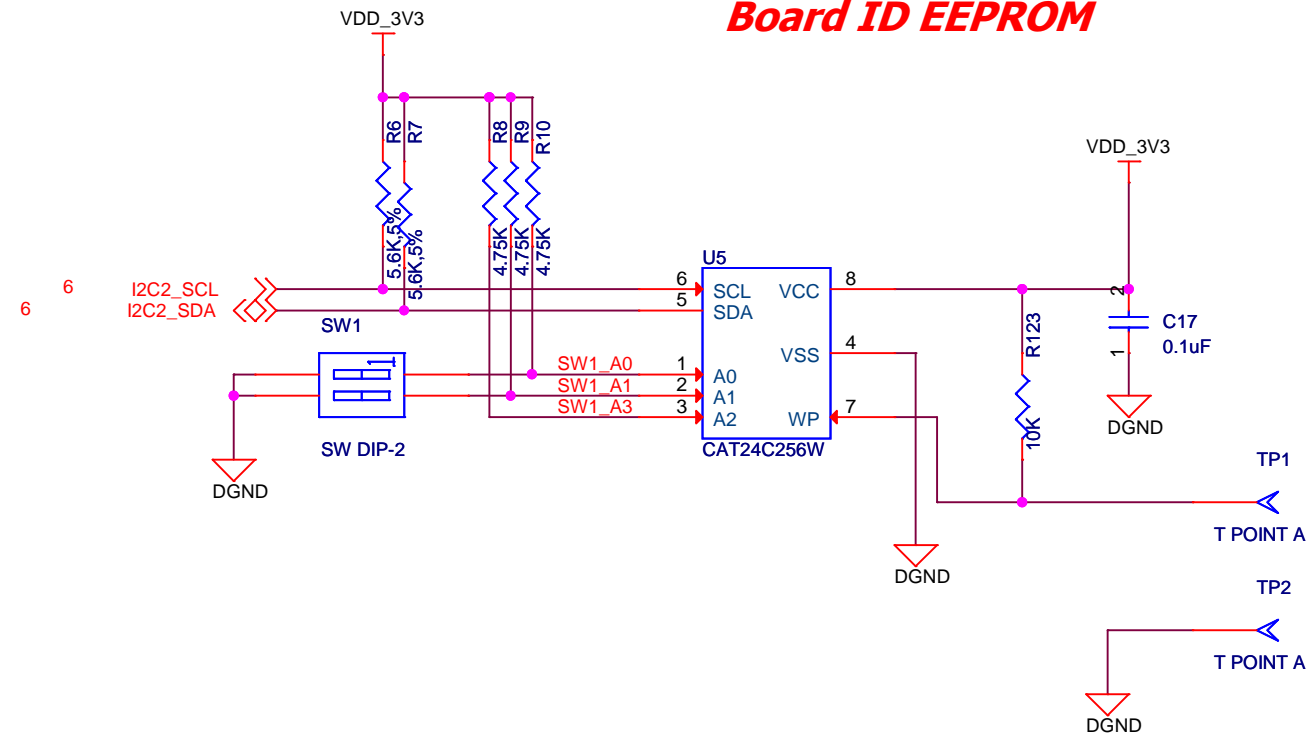
ALL PARTS IN THIS BOX ARE "DNI"

This work is licensed under the Creative Commons Attribution-Share Alike 3.0 Unported License. All derivative works are to be attributed to CircuitCo LLC.				1380 Presidential Dr. #100 Richardson, TX 75081 www.beagleboardtoys.com	
beagleboardtoys is owned by CircuitCo LLC.		Title: BeagleBone CANBus Cape RS485			
Size B	Document Number BB-BONE-SERL-01	Date: Friday, October 05, 2012		Sheet 5 of 7	Rev A1

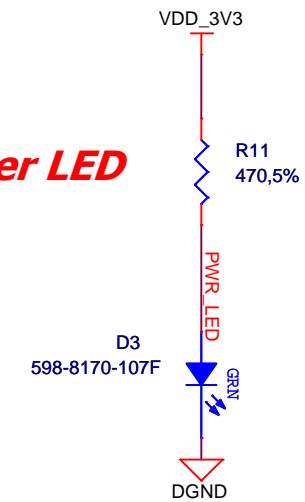
## Connectors In



## Board ID EEPROM



## Power LED



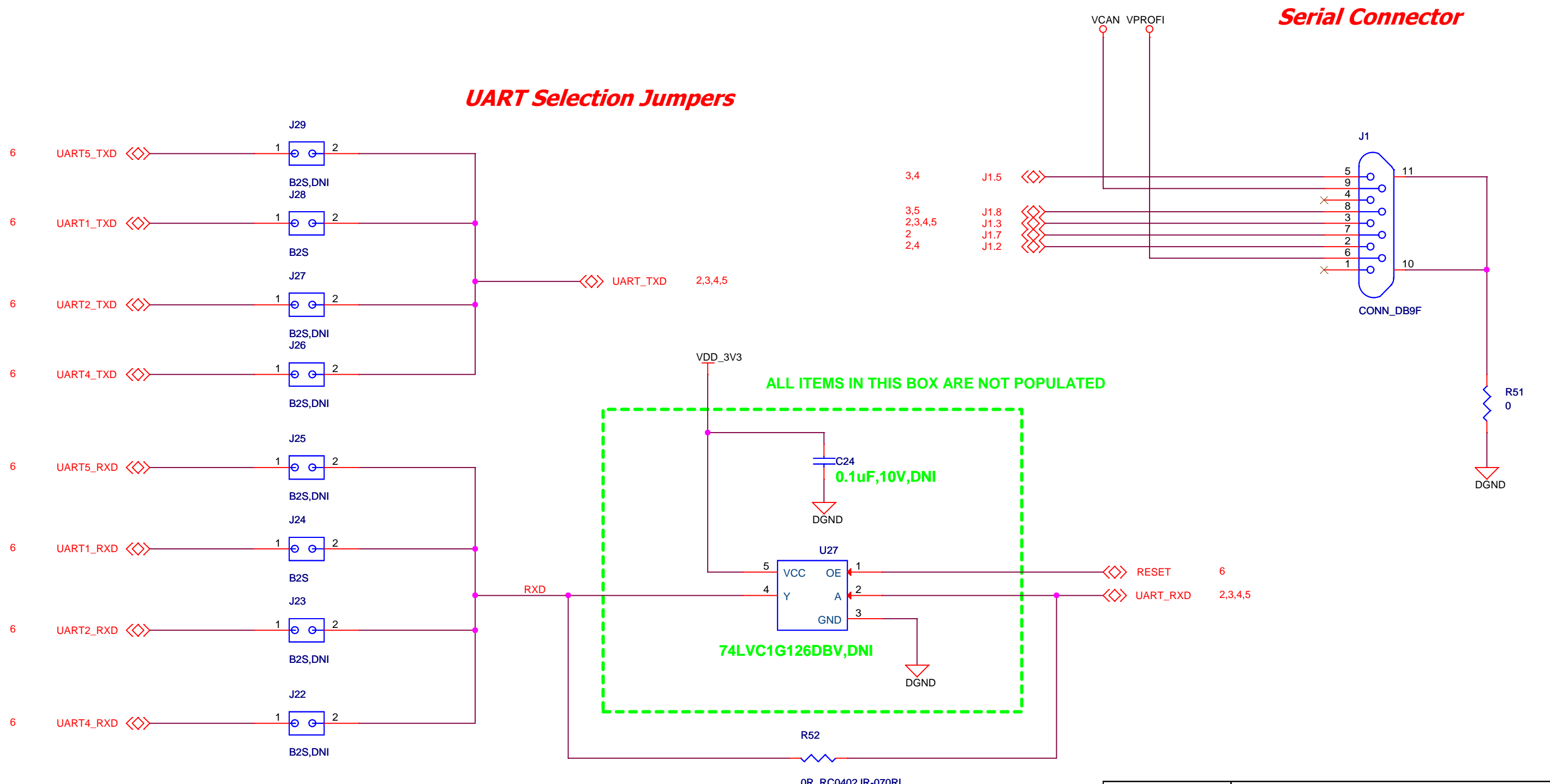
This work is licensed under the Creative Commons Attribution-Share Alike 3.0 Unported License. All derivative works are to be attributed to CircuitCo LLC.



1380 Presidential Dr.  
#100  
Richardson, TX 75081  
www.beagleboardtoys.com

beagleboardtoys is owned by CircuitCo LLC.

Title		BeagleBone CANBus Cape Conn, EEPROM, LED	
Size B	Document Number	BB-BONE-SERL-01	
Date:	Friday, October 05, 2012	Sheet	6 of 7
			Rev A1




**UART Selection Jumpers**

**Serial Connector**

ALL ITEMS IN THIS BOX ARE NOT POPULATED

RESISTOR R52 IS SOLDERED BETWEEN PIN 2 AND 4 OF U27

This work is licensed under the Creative Commons Attribution-Share Alike 3.0 Unported License. All derivative works are to be attributed to CircuitCo LLC.  
beagleboardtoys is owned by CircuitCo LLC.

 <a href="http://beagleboardtoys.com">beagleboardtoys.com</a>		1380 Presidential Dr. #100 Richardson, TX 75081 <a href="http://www.beagleboardtoys.com">www.beagleboardtoys.com</a>	
		Title: BeagleBone CANBus Cape Serial Conn, UART Jumpers	
Size B	Document Number BB-BONE-SERL-01	Rev A1	
Date: Tuesday, April 30, 2013	Sheet 7 of 7		